

STATOR WITH BAND
SINGLE PHASE—SINGLE SPEED
 (See Page 10 for Ratings)

514C3-64	514C3-117
514C3-65	514C3-119
514C3-67	514C3-124
514C3-68	514C3-125
514C3-73	514C3-127
514C3-74	514C3-128
514C3-76	514C3-137
514C3-77	514C3-138
514C3-72	514C3-140
514C3-93	514C3-141
514C3-109	514C3-132
514C3-110	
514C3-113	
514C3-116	

SINGLE PHASE—DUAL SPEED
 (See Page 10 for Ratings)

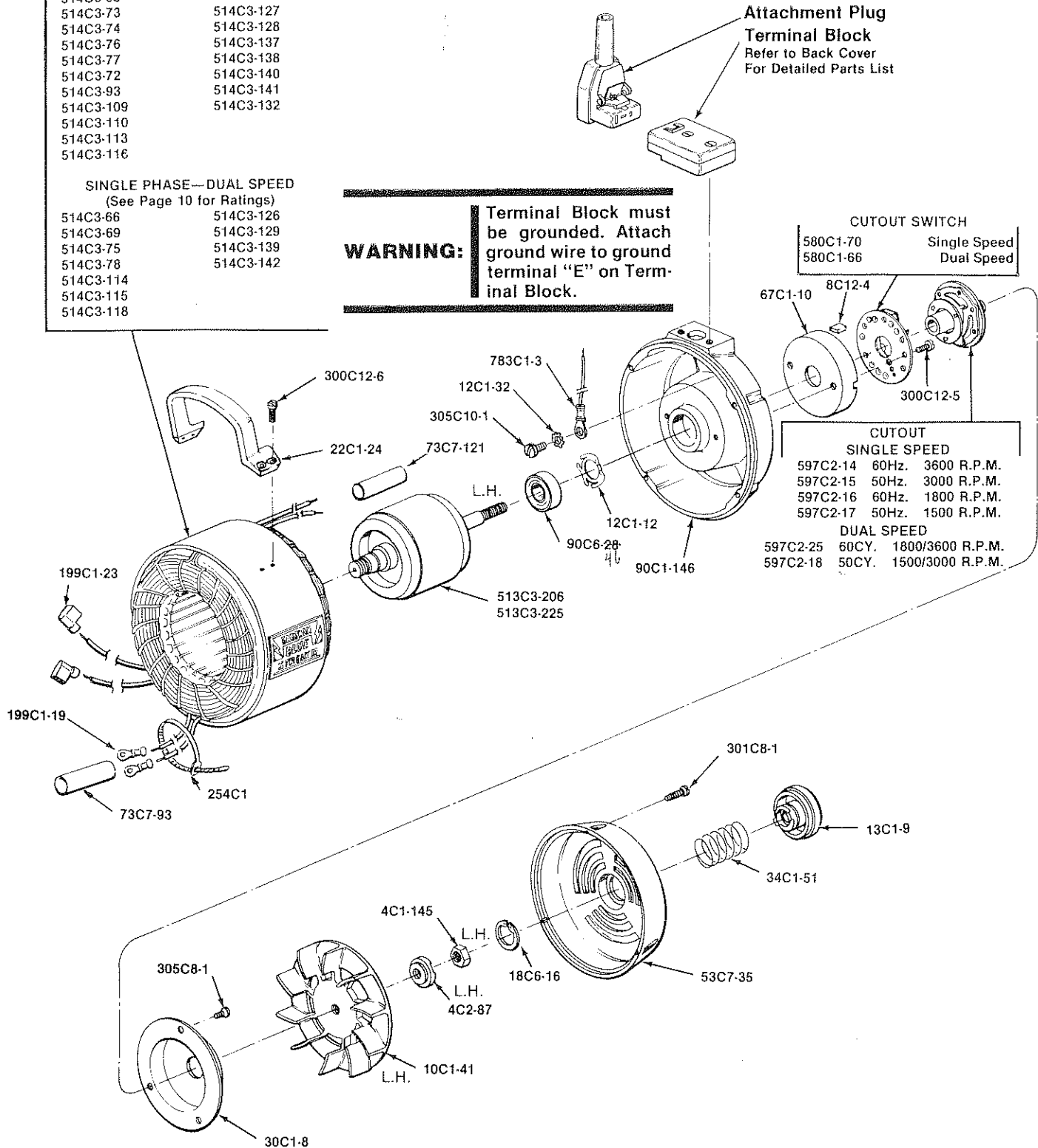
514C3-66	514C3-126
514C3-69	514C3-129
514C3-75	514C3-139
514C3-78	514C3-142
514C3-114	
514C3-115	
514C3-118	

NOTE:

L.H. indicates left hand thread. All other are right hand.

WARNING:

Terminal Block must be grounded. Attach ground wire to ground terminal "E" on Terminal Block.



Eastmanmachine
 COMPANY

EASTMAN

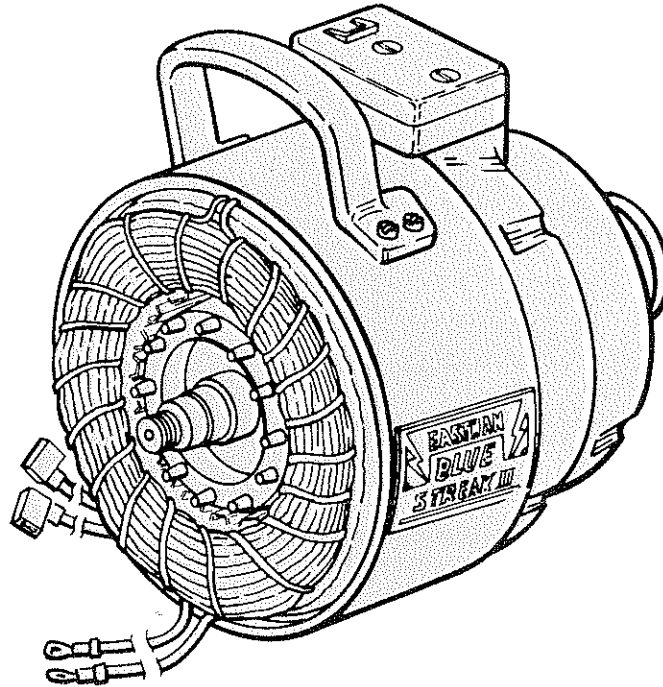
Single Phase

Motor

Assemblies

(Single and Dual Speed)

Illustrated Parts List



Part No. No. Req'd.
 Class 825
 Class 827
 Class 829

4C1-145	1	1	1	
4C2-87	1	1	1	
8C12-4	2	2	2	
10C1-41	1	1	1	
12C1-12	1	1	1	
12C1-32	1	1	1	
13C1-9	1	1	1	
18C6-16	1	1	1	
22C1-24	1	1	1	
30C1-8	1	1	1	
34C1-51	1	1	1	
53C7-35	1	1	1	
67C1-10	1	1	1	
73C7-93	1	1	1	
73C7-121	1	1	1	
90C1-146	1	1	1	
90C6-28	1	1	1	
199C1-19	2	2	2	
199C1-23	2	2	2	
254C1	1	1	1	
300C12-5	2	2	2	
300C12-6	4	4	4	
301C8-1	3	3	3	
305C8-1	3	3	3	
305C10-1	1	1	1	
513C3-206	1	0	1	
513C3-225	0	1	0	
514C3-64	1	0	0	Stator with B
514C3-65	1	0	0	Stator with B
514C3-67	1	0	0	Stator with B
514C3-68	1	0	0	Stator with B
514C3-73	1	0	0	Stator with B
514C3-74	1	0	0	Stator with B
514C3-76	1	0	0	Stator with B
514C3-77	1	0	0	Stator with B
514C3-72	1	0	0	Stator with B
514C3-66	1	0	0	Stator with Band 1
514C3-69	1	0	0	Stator with Band 1
514C3-75	1	0	0	Stator with Band 2
514C3-78	1	0	0	Stator with Band 2
514C3-109	0	1	0	Stator with B
514C3-110	0	1	0	Stator with B
514C3-113	0	1	0	Stator with B
514C3-114	0	1	0	Stator with Band 1
514C3-115	0	1	0	Stator with Band 2
514C3-116	0	1	0	Stator with B
514C3-117	0	1	0	Stator with B
514C3-118	0	1	0	Stator with Band 2
514C3-119	0	1	0	Stator with B
514C3-124	0	0	1	Stator with B
514C3-125	0	0	1	Stator with B
514C3-127	0	0	1	Stator with B
514C3-128	0	0	1	Stator with B
514C3-137	0	0	1	Stator with B
514C3-138	0	0	1	Stator with B
514C3-140	0	0	1	Stator with B
514C3-141	0	0	1	Stator with B
514C3-132	0	0	1	Stator with B
514C3-126	0	0	1	Stator with Band 11
514C3-129	0	0	1	Stator with Band 11
514C3-139	0	0	1	Stator with Band 22
514C3-142	0	0	1	Stator with Band 22
580C1-66	1	1	1	Automatic C
580C1-70	1	1	1	Automatic Cu
597C2-14	1	1	1	Automatic
597C2-15	1	1	1	Automatic
597C2-16	1	1	1	Automatic
597C2-17	1	1	1	Automatic
597C2-25	1	1	1	Automatic Cut
597C2-18	1	1	1	Automatic Cut
783C1-3	1	1	1	Automatic Cut

NOTE: Please specify model and serial number of machine when ordering parts.